



AVK SWING CHECK VALVE PN16

41/39
41/36



Large diameter metal seated swing check valve
Face to face dimension to EN 558 table 2 series 48
Flange drilling to AS 4087 Fig. B5



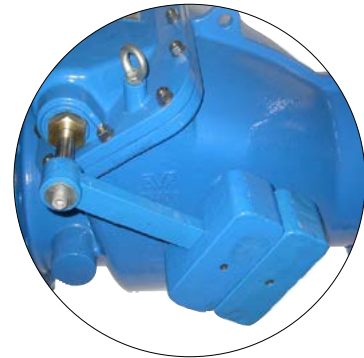
Use:

- For potable water and sewage applications
 - Valve designed for use up to 60°C
 - Where applicable; for AS 4020 compliance, max temp = 40°C
- Note: Always observe pipe material recommended operating temperatures



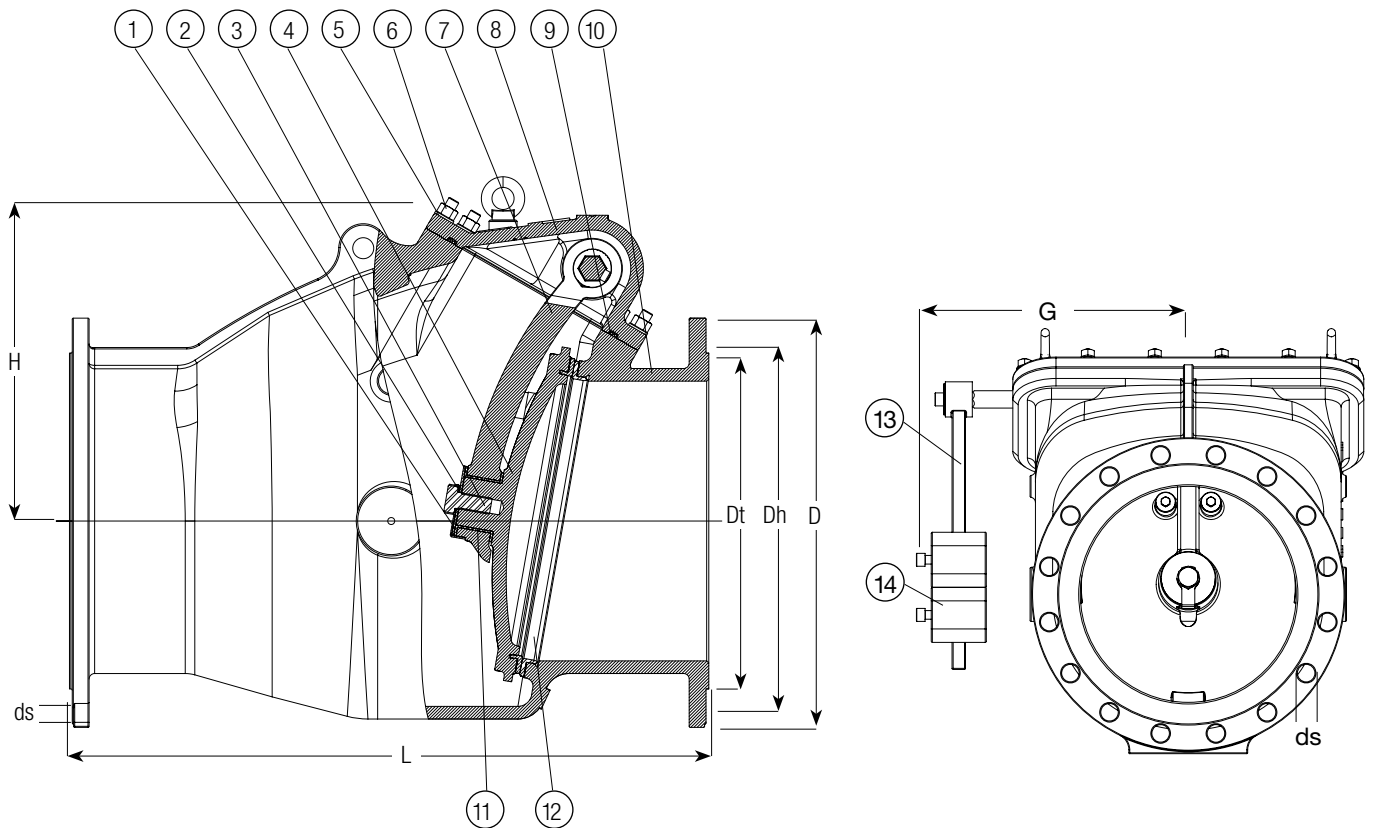
Tests:

- Hydraulic test to EN 1074-3:
 - Seat: 1.1 x PN
 - Body: 1.5 x PN



Lever & Weight





Component list

| | | | |
|----------------|-------------------------------------|------------------|-------------------------------------|
| 1. Washer lock | | 8. Bonnet | Ductile Iron, EN 1563, EN-GJS-500-7 |
| 2. Washer | Stainless Steel A4 | 9. Bonnet gasket | EPDM rubber |
| 3. Bolt | Stainless Steel A4 | 10. Body | Ductile Iron, EN 1563, EN-GJS-500-7 |
| 4. Disc | Ductile Iron, EN 1563, EN-GJS-500-7 | 11. Bushing | Brass, CZ 114 to BS 2874 |
| 5. Washer | Stainless Steel A4 | 12. Seat | Aluminium bronze, EN 1982 CC331G |
| 6. Bolt & Nut | Stainless Steel A4 | 13. Lever | Ductile Iron, EN 1563, EN-GJS-500-7 |
| 7. Hinge | Ductile Iron, EN 1563, EN-GJS-500-7 | 14. Weight | Ductile Iron, EN 1563, EN-GJS-500-7 |

Components can be substituted with equivalent or higher class materials.

Reference nos. and dimensions

| AVK ref. nos. | DN | L mm | H mm | Dt mm | D mm | Dh mm | ds | Holes nos. | G mm | Theoretic weight kg |
|--|-----|------|------|-------|------|-------|----|------------|------|---------------------|
| Free acting - series 41/39 | | | | | | | | | | |
| 41-350-390281206 | 350 | 800 | 439 | 429 | 520 | 470 | 28 | 12 | | 312 |
| 41-400-390281206 | 400 | 900 | 492 | 480 | 580 | 525 | 31 | 12 | | 373 |
| 41-450-390281206 | 450 | 1000 | 558 | 548 | 640 | 585 | 31 | 12 | | 531 |
| 41-500-390281206 | 500 | 1100 | 650 | 609 | 715 | 650 | 34 | 16 | | 738 |
| 41-600-390281206 | 600 | 1300 | 696 | 720 | 840 | 770 | 37 | 16 | | 928 |
| With lever and weight -series 41/36 | | | | | | | | | | |
| 41-350-360281206 | 350 | 800 | 439 | 429 | 520 | 470 | 28 | 12 | 431 | 337.2 |
| 41-400-360281206 | 400 | 900 | 492 | 480 | 580 | 525 | 31 | 12 | 503 | 418.2 |
| 41-450-360281206 | 450 | 1000 | 558 | 548 | 640 | 585 | 31 | 12 | 538 | 578.64 |
| 41-500-360281206 | 500 | 1100 | 650 | 609 | 715 | 650 | 34 | 16 | 568 | 805.64 |
| 41-600-360281206 | 600 | 1300 | 696 | 720 | 840 | 770 | 37 | 16 | 625 | 995.64 |