



AVK GATE VALVE PN16

55/74

To AS 2638.2
 Stem sealing exchangeable under pressure
 Flange drilling to AS 4087 Fig. B5 (AS 2129 Table D and raised face)
 Gland flange to ISO 5210 - F16

Use:

- For water, sewage and neutral liquid applications
 - Valve designed for use up to 70°C
 - Where applicable; for AS 4020 compliance, max temp = 40°C
- Note: Always observe pipe material recommended operating temperatures

Tests:

- Hydrostatic test to AS 2638.2:
 - Seat: 17.6 bar
 - Body: 24 bar
 - Operating torque test

Optional Extras:

- Gearbox with stem cap
- Gearbox with handwheel
- Electric Actuator
- User specified flange drilling



Quality
 ISO 9001
 SAI GLOBAL



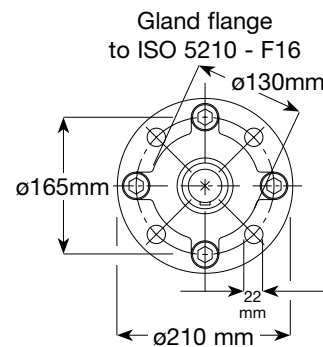
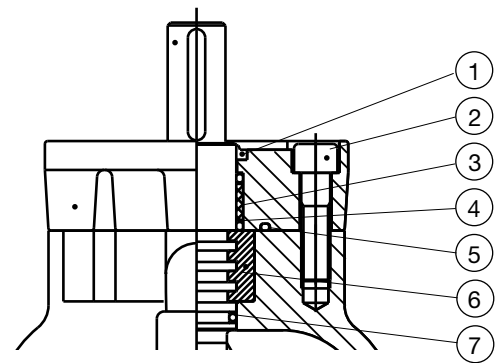
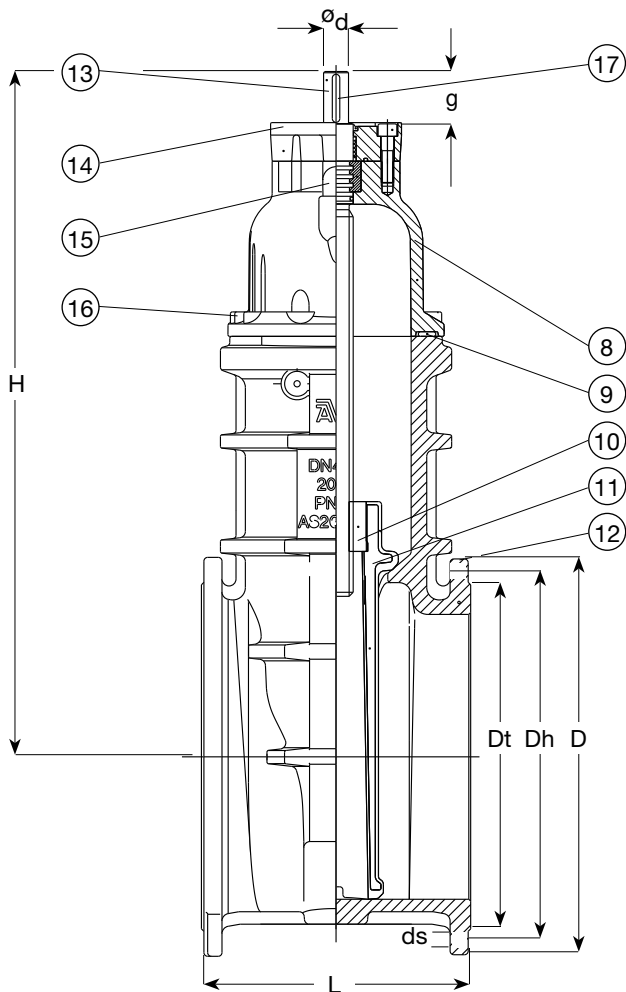
Health & Safety
 AS 4801
 SAI GLOBAL



Environment
 ISO 14001
 SAI GLOBAL



Australian
 Standard
 AS2638.2
 Lic. SMK02420
 SAI Global



Component list

1. Wiper Ring	NBR	10. Wedge nut	Dezincification resistant brass, CZ 132 to AS 2345
2. Gland flange bolt	Stainless Steel 316, fully encapsulated with hot melt glue	11. Wedge	Ductile Iron, grade 500-7, core fully vulcanised with EPDM rubber
3. Bearing	Polyamid	12. Body	Ductile Iron, grade 500-7 to AS 1831
4. Stem seal O-ring	NBR	13. Stem	Stainless Steel 431
5. Gland flange O-ring	NBR rubber	14. Gland flange	Stainless Steel CF8M
6. Thrust collar	Dezincification resistant brass, CZ 132 to AS 2345	15. Lifting eye	Zinc plated steel
7. Stem/Bonnet O-ring	EPDM rubber	16. Bonnet bolt	Stainless Steel 316, fully encapsulated with hot melt glue
8. Bonnet	Ductile Iron, grade 500-7 to AS 1831	17. Key	Stainless Steel 316 (length 65)
9. Bonnet gasket	EPDM rubber		

Components can be substituted with equivalent or higher class materials.

Reference nos. and dimensions

AVK ref. nos. CC	AVK ref. nos. ACC	DN mm	L mm	H mm	D mm	Dh mm	Dt mm	ds mm	Holes nos.	ϕd mm	g mm	Weight kg	Keyway mm
55-450-7405412061	55-450-7415412061	450	432	1130	640	584	552	26	12	40	80	633	12x8
55-500-7405412061	55-500-7415412061	500	457	1206	705	641	609	26	16	40	80	663	12x8
55-600-7405412061	55-600-7415412061	600	508	1329	825	756	717	30	16	40	80	828	12x8