



AVK PLASTIC AIR VALVES PN16

701/90
701/91



Single Orifice plastic air valve
BSP-M inlet



Use:

- For water and neutral liquid applications
- Valve designed for use up to -20°C to +90°C
- Working pressure:
 - Min. 0.2 bar
 - Max. 16 bar

Note: Always observe pipe material recommended operating temperatures



Tests:

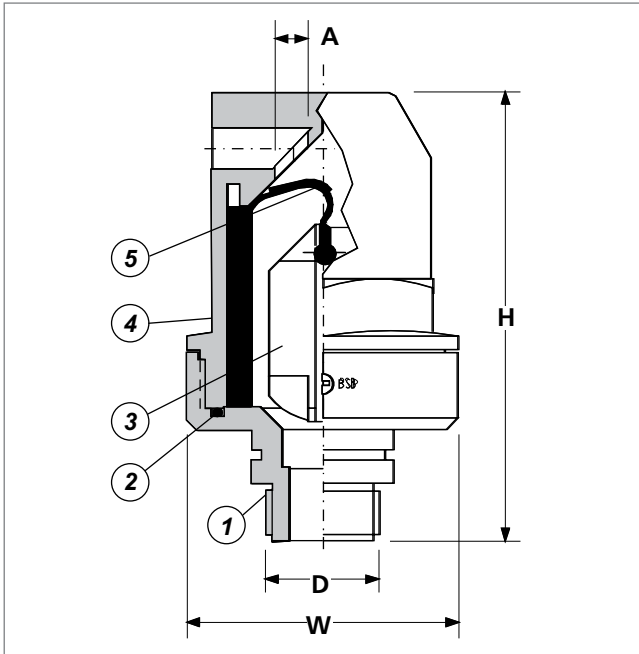
- Tested for 16 bar operation:
 - Seat: 16 bar
 - Body: 24 bar

Optional extras:

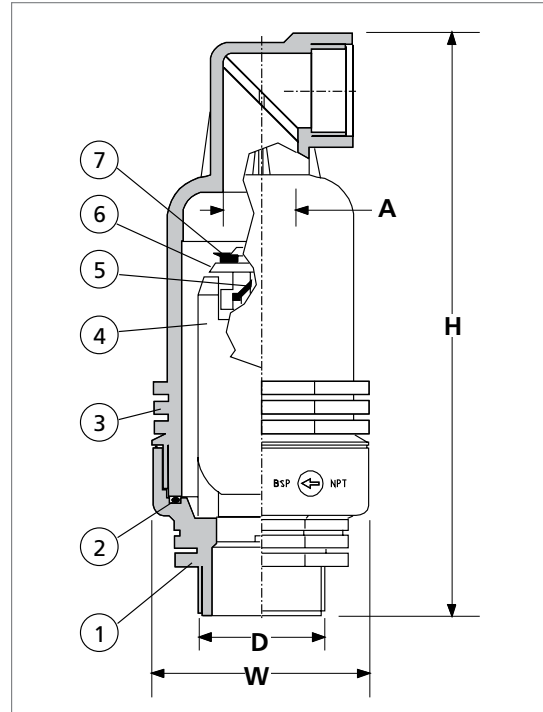
- Brass base
- NPT male inlet



Automatic



Combination



Component list

Automatic

- 1. Base UV resistant GRP
- 2. O-ring NBR rubber
- 3. Float Polypropylene
- 4. Body UV resistant GRP
- 5. Valve seal EPDM rubber

Combination

- 1. Base UV resistant GRP
- 2. O-ring NBR rubber
- 3. Body UV resistant GRP
- 4. Kinetic float Polypropylene
- 5. Automatic seal EPDM rubber
- 6. Automatic float UV resistant GRP
- 7. Kinetic seal EPDM rubber

Components can be substituted with equivalent or higher class materials.

Reference nos. and dimensions

Type	AVK ref. nos.	W mm	H mm	D mm	A mm ²	Weight kg
Automatic	701-025-9099003	102	133	25	25	.29
Combination	701-050-9199003	102	269	50	7	.725