



AVK DOUBLE ORIFICE AIR RELEASE VALVE

851/10
851/20



Double Orifice air release valve PN16 & PN25
Built in accordance with AS 4956
Inlet flange drilling to AS 4087 B5 (PN16) & AS 2129 Table F (PN25)



Use:

- For water (not sewage) and neutral liquid applications
 - Valve designed for use up to 70°C
 - Where applicable for AS 4020 compliance, max temp = 40°C
- Note: Always observe pipe material recommended operating temperatures

Working pressure: min 0.1 bar
max. 16 bar - PN16
max. 25 bar - PN25

Tests:

- Hydraulic test: 1.5 x PN



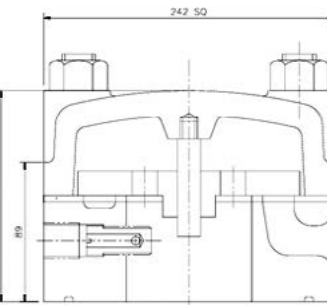
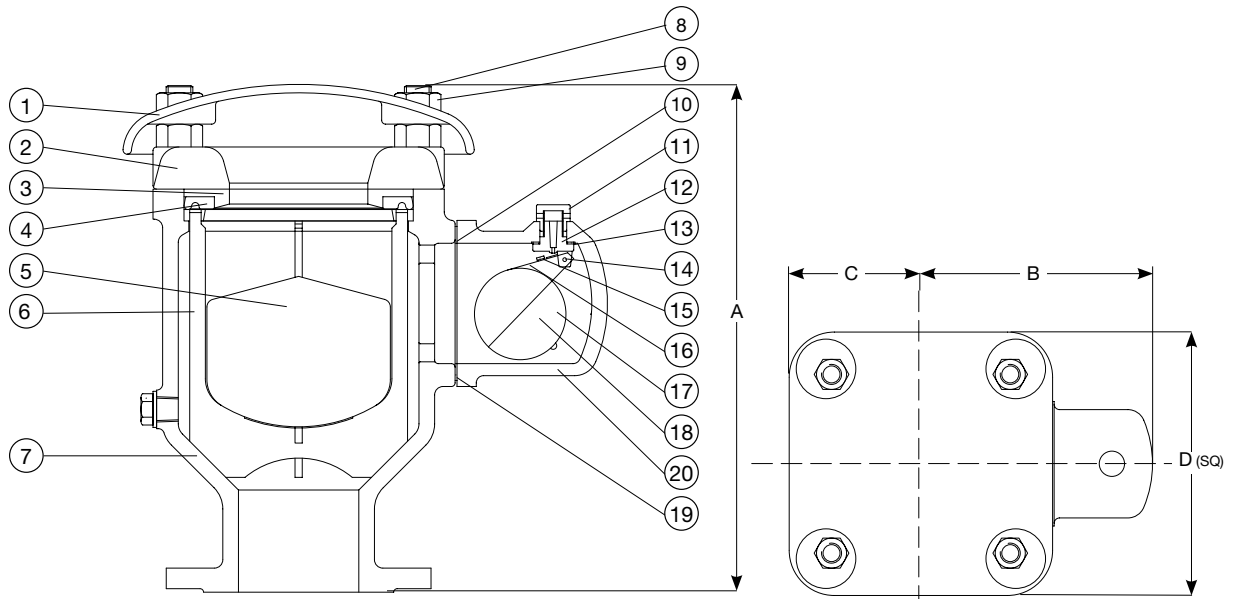
Features:

- Cylindrical large Orifice float
- Embodies unique aerokinetic feature
- Does not shut prematurely
- Release of large volumes of air during pipeline filling
- Allows inflow of large volumes of air when pipe is emptied
- Release of air under pressure
- Low maintenance
- Streamlined air flow

Options:

- Isolating: gate or butterfly valve
- Pipe outlet connection
- Inflow check valve
- Vented non return valve (surge-alleviation)





Vented non-return kit that can be fitted to a standard valve

Component list

1. Cowl	Ductile Iron, 500-7 to AS 1831	11. Orifice cover	Nylon
2. Cover	Ductile Iron, 500-7 to AS 1831	12. Orifice bracket	Nylon
3. Seat ring	ABS	13. Gasket	EPDM WBS listed
4. Seat support ring	ABS plastic	14. Fulcrum pin	316 Stainless Steel
5. Float	ABS plastic	15. Adjusting screw	316 Stainless Steel
6. Float guide	ABS plastic	16. Sealing face	
7. Body (low pressure)	Ductile Iron, 500-7 to AS 1831	17. Float and lever	ABS plastic
8. Screw	316 Stainless Steel	18. Float	ABS plastic
9. Hexagon nut	316 Stainless Steel	19. Gasket	EPDM WBS listed
10. Screw, h/soc. cap	316 Stainless Steel	20. Body	Ductile Iron, 500-7 to AS 1831

Components can be substituted with equivalent or higher class materials.

Reference nos. and dimensions

AVK ref. nos.	DN mm	A mm	B mm	C mm	D mm	Weight kg
PN16 - Flange drilling AS 4087 B5						
851-050-20523000	50	266	210	81	162	20.4
851-080-20523000	80	345	236	111	222	31.7
851-100-20523000	100	417	255	146	292	51.7
851-150-20523000	150	417	255	146	292	57.2
PN25 - Flange drilling AS 2129 Table F						
851-050-10923008	50	266	210	81	162	22
851-080-10923008	80	345	236	111	222	33
851-100-10923008	100	417	255	146	292	53
851-150-10923008	150	417	255	146	292	59