

BVA23 - Ball valve (stainless steel, 3-piece body) 1/4" - 4"

Description

Stainless steel ball valve with 3-piece body, full bore, top flange for mounting of actuator

Product features

- Connection (Face to face dimension)
 - BVA23FT threaded ends DIN EN 10226-1 Rp $\frac{1}{4}$ " - 4" (DIN 3202-M3)
 - BVA23FB buttweld ends DN10-100 (DIN 3202-S13)
 - BVA23FL buttweld ends long DN15-100
 - BVA23FF flanged ends PN40 DN15-100 (DIN 3202-F1)
- Max. working pressure 63 bar (BVA23FF 40bar)
- Temperature range -20°C ÷ 160°C, Versions for lower temperatures on request



The ball valves BVA23 meet the safety requirements of the pressure Equipments Directive 97/23/EC (PED) appendix 1 for fluids of the groups 1 and 2.



BVA23FT



BVA23FB



BVA23FL

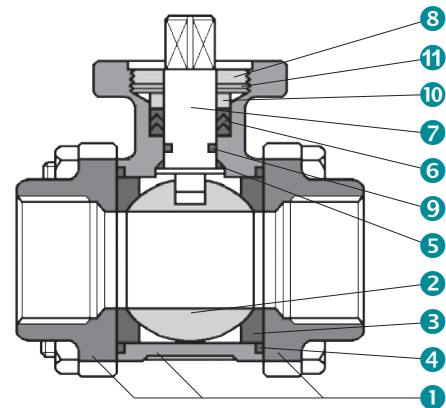


BVA23FF

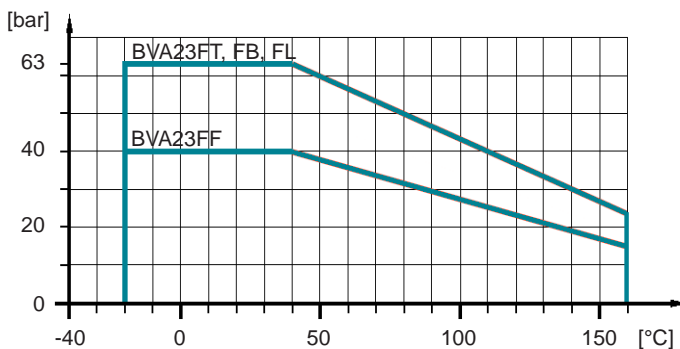


Construction

1	3-piece body	CF8M (1.4408)
2	Ball	AISI 316 (1.4401)
3	Seat ring white (standard)	PTFE + 15% GF
	Seat ring grey (for steam)	PTFE-C, 25% Carbon
4	Seal ring	PTFE
5	Washer	PTFE
6	Stem seal self-adjusting with bevel washer (for approx. 30.000 cycles)	PTFE
7	Stem	AISI 316 (1.4401)
8	Gland nut	AISI 304 (1.4301)
9	Seal ring	Viton
10	Gland ring	AISI 304 (1.4301)
11	Bevel washer	Spring steel



Pressure / temperature diagram



For temperatures >100°C a mounting bracket with adapter is mounted between ball valve and actuator.

For applications with steam:
 - use seat ring „S“ PTFE-C, 25% Carbon
 - $t_{max} = 160^{\circ}\text{C}$, $p_{max} = 6 \text{ bar}$

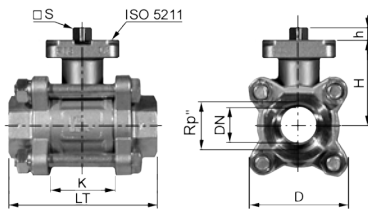
BVA23 - Ball valve (stainless steel, 3-piece body) 1/4" - 4"

Type code

BVA	23	F	T	.	014	.	SS	T
①	②	③	④		⑤		⑥	⑦
① Type	BVA	Ball valve with top flange						
② Construction	23	2/2 ways, 3-piece body						
③ Bore	F	Full bore						
④ Connection	T	Threaded ends DIN EN 10226-1 (DIN 2999)						
	B	Buttweld ends ≈ according to DIN EN 12627						
	L	Buttweld ends long ≈ according to DIN EN 12627						
	F	Flanged ends PN40						
⑤ Size	014-400 015-100	Rp 1/4" - 4" DN15-100 (BVA23FF)						
⑥ Materials body / ball	S	Body stainless steel					CF8M (1.4408)	
	S	Ball stainless steel					AISI 316 (1.4401)	
⑦ Materials seat ring	T	Seat ring white (standard)					PTFE + 15% GF	
	S	Seat ring grey (for steam tmax = 160°C, pmax = 5 bar)					PTFE-C, 25% Carbon	

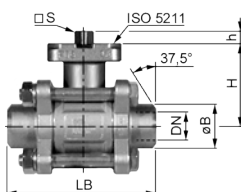
Dimensions

BVA23FT



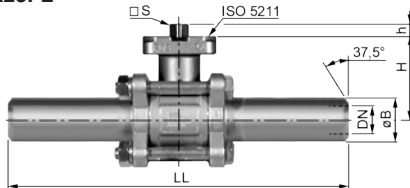
	Rp"	DN	LT	H	K	h	D	S	ISO	kv(m³/h)	kg
BVA23FT.014.SST	¼	10	65	40	21	7	48.5	9	F03+04	6	0.35
BVA23FT.038.SST	⅜	12	65	40	21	7	48.5	9	F03+04	9	0.40
BVA23FT.012.SST	½	15	75	40	26	7	48.5	9	F03+04	19	0.65
BVA23FT.034.SST	¾	20	80	44	33	9	53.5	9	F03+04	46	0.80
BVA23FT.100.SST	1	25	90	52	39	12	60.5	11	F04+05	72	1.20
BVA23FT.114.SST	1¼	32	110	58	51	12	72	11	F04+05	105	1.95
BVA23FT.112.SST	1½	40	120	68	58	16	81.5	14	F05+07	170	2.75
BVA23FT.200.SST	2	50	140	72	71	16	99.5	14	F05+07	275	4.50
BVA23FT.212.SST	2½	65	185	98	77	19	126	17	F07+10	507	8.90
BVA23FT.300.SST	3	80	205	110	105	19	191	17	F07+10	905	12.9
BVA23FT.400.SST	4	100	240	138	130	24	223	22	F10	1414	22.5

BVA23FB



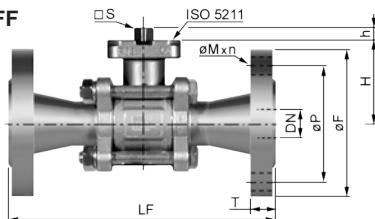
	DN	øB	LB	H	h	S	ISO	kv(m³/h)	kg	
BVA23FB.014.SST	¼	10	20	70	40	7	9	F03+04	6	0.35
BVA23FB.038.SST	⅜	12	20	70	40	7	9	F03+04	9	0.40
BVA23FB.012.SST	½	15	23	75	40	7	9	F03+04	19	0.65
BVA23FB.034.SST	¾	20	28	90	44	9	9	F03+04	46	0.80
BVA23FB.100.SST	1	25	34	100	52	12	11	F04+05	72	1.20
BVA23FB.114.SST	1¼	32	41	110	58	12	11	F04+05	105	1.95
BVA23FB.112.SST	1½	40	49	125	68	16	14	F05+07	170	2.75
BVA23FB.200.SST	2	50	62	150	72	16	14	F05+07	275	4.50
BVA23FB.212.SST	2½	65	78	190	98	19	17	F07+10	507	8.90
BVA23FB.300.SST	3	80	94	220	110	19	17	F07+10	905	12.9
BVA23FB.400.SST	4	100	125	270	138	24	22	F10	1414	22.5

BVA23FL



	DN	øB	LL	H	h	S	ISO	kv(m³/h)	kg	
BVA23FL.012.SST	½	15	23	225	40	7	9	F03+04	19	0.72
BVA23FL.034.SST	¾	20	28	225	44	9	9	F03+04	46	0.88
BVA23FL.100.SST	1	25	34	245	52	12	11	F04+05	72	1.32
BVA23FL.114.SST	1¼	32	41	255	58	12	11	F04+05	105	2.15
BVA23FL.112.SST	1½	40	49	260	68	16	14	F05+07	170	3.03
BVA23FL.200.SST	2	50	62	275	72	16	14	F05+07	275	4.95
BVA23FL.212.SST	2½	65	78	335	98	19	17	F07+10	507	9.79
BVA23FL.300.SST	3	80	94	355	110	19	17	F07+10	905	14.2
BVA23FL.400.SST	4	100	125	365	138	24	22	F10	1414	24.8

BVA23FF



	DN	øF	øP	T	øMxN	LF	H	h	S	ISO	kv(m³/h)	kg
BVA23FF.015.SST	15	95	65	16	14x4	130	40	7	9	F03+04	19	2.45
BVA23FF.020.SST	20	105	75	18	14x4	150	44	9	9	F03+04	46	3.50
BVA23FF.025.SST	25	115	85	18	14x4	160	52	12	11	F04+05	72	4.70
BVA23FF.032.SST	32	140	100	18	18x4	180	58	12	11	F04+05	105	5.90
BVA23FF.040.SST	40	150	110	18	18x4	200	68	16	14	F05+07	170	7.80
BVA23FF.050.SST	50	165	125	20	18x4	230	72	16	14	F05+07	275	11.3
BVA23FF.065.SST	65	185	145	22	18x8	290	98	19	17	F07+10	507	16.9
BVA23FF.080.SST	80	200	160	24	18x8	310	110	19	17	F07+10	905	23.9
BVA23FF.100.SST	100	235	190	24	22x8	350	138	24	22	F10	1414	34.9

InterApp AG
Grundstrasse 24
CH-6343 Rotkreuz
Phone +41 (0) 41 7982233
Fax +41 (0) 41 7982234
info@ch.interapp.net

InterApp Ges.m.b.H.
Kolpingstrasse 19
A-1230 Wien
Phone +43 (0) 1 6162371-0
Fax +43 (0) 1 6162371-99
info@at.interapp.net

InterApp Italiana
Via Gramsci 29
I-20016 Pero (MI)
Phone +39 02 339371
Fax +39 02 33937200
info@it.interapp.net

InterApp GmbH
Schillerstrasse 50
D-42489 Wülfrath
Phone +49(2058) 8909250
Fax +49(2058) 8909255
info@de.interapp.net

AVK Válvulas S.A.
InterApp Válvulas S.A.
Polígono Industrial Francoli, parcela 27
E-46006 Tarragona
Phone +34 977 543 008
Fax +34 977 541 622
avk@avkvalvulas.com

The technical data are noncommittal and do not assure you of any properties. Please refer to our general sales conditions. Modifications without notice.

© 2017 InterApp AG, all rights reserved