



AVK GATE VALVE, FLANGED LONG, BY-PASS SS stem, ISO Mounting Flange, EPDM Seal, ACC/CC, DN450-600

570/42-003

AVK gate valves are designed with built-in safety in every detail. The wedge is fully vulcanized with AVK's own drinking water approved EPDM rubber compound. It features an outstanding durability due to the ability of the rubber to retain its original shape, the double bonding vulcanization process and the sturdy wedge design. The triple stem seal system, high strength stem and thorough corrosion protection safeguard the unmatched reliability.

Product description:

Flanged gate valve for potable water and neutral liquids to max. 70°C. Interchangeable by-pass valve in DN100 or DN150.

Standards:

- Designed according to AS/NZS 2638.2
- Face-to-face dimension according to AS/NZS 2638.2
- Flange drilling to AS/NZS 4087 B5 PN16
- Flange drilling to AS 2129 Table E
- Approved to AS/NZS 4020

Features:

- Fixed, integral wedge nut prevents vibration
- Polyamide wedge shoes protect the wedge rubber during opening and closing and reduce friction
- Stainless steel stem with wedge stop
- A large conical stem hole in the wedge prevents stagnant water
- Three independent stem seals: a metal reinforced wiper ring protects against external dust, four O-rings surround the radial bearing and innermost an EPDM O-ring is the main seal to the flow
- Removable gland flange for under-pressure replacement of thrust- and radial bearings and seals
- ISO mounting flange F16 (F14 compatible); electric actuator or gearbox is recommended
- Round bonnet gasket fixed in a recess to prevent blow-out with integral bolt sealing
- Counterbored stainless steel bonnet bolts encircled by the bonnet gasket and sealed with hotmelt glue
- Integrated lifting eyes for easy handling
- Epoxy coating to AS/NZS 4158
- StandardsMark and WaterMark approved to AS/NZS 2638.2
- By-pass valve with interchangeable DN100 or DN150 options

Accessories:

Gearbox, actuator and handwheel



Quality
ISO 9001



Health & Safety
AS 4801



Environment
ISO 14001

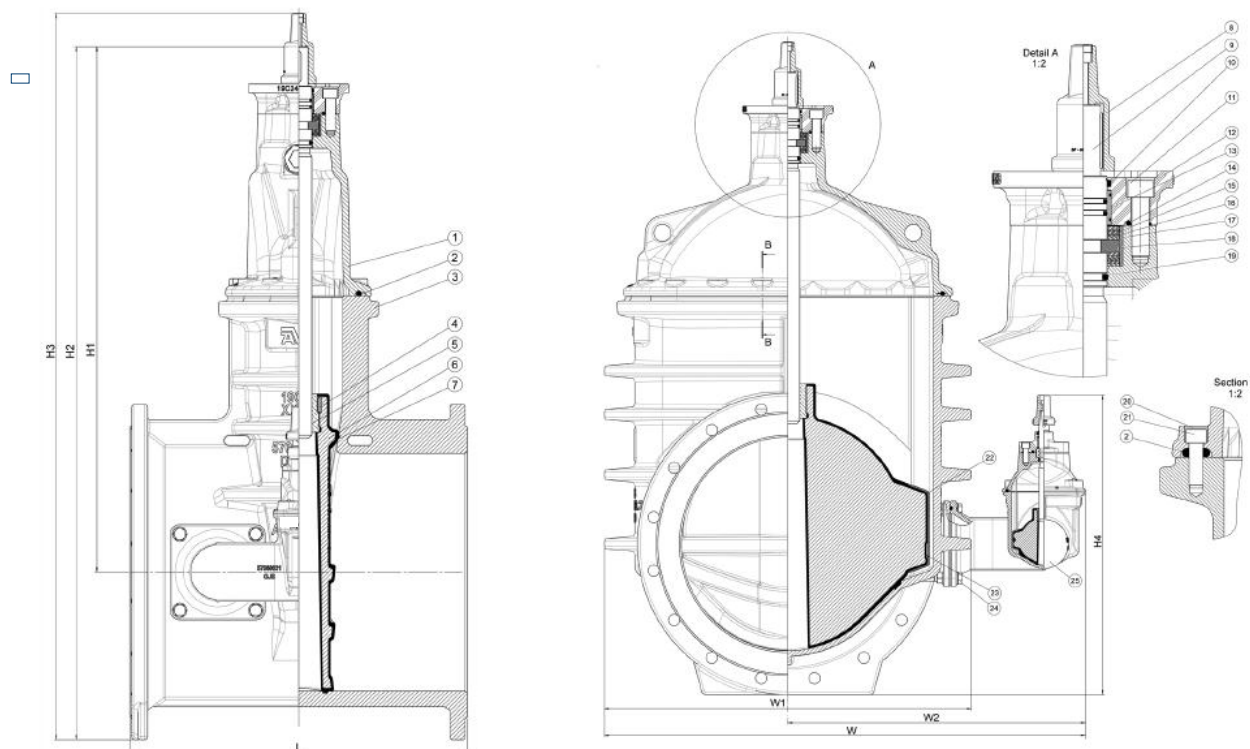


Expect... **AVR**

AVK GATE VALVE, FLANGED LONG, BY-PASS

570/42-003

SS stem, ISO Mounting Flange, EPDM Seal, ACC/CC, DN450-600



Component list:

1. Bonnet	Ductile iron GJS-500-7	14. O-ring	NBR rubber
2. Bonnet gasket	EPDM rubber	15. Bushing	Polyamide
3. Body	Ductile iron GJS-500-7	16. Thrust bearing	CSB
4. Lock pin	Steel	17. Support washer	Stainless steel 1.4057
5. Wedge nut	Brass, DZR CZ132	18. Thrust collar	Stainless steel 1.4057
6. Wedge rubber	EPDM rubber	19. Stem seal	EPDM rubber
7. Wedge core	Ductile iron GJS-500-7	20. Seal	Hot melt glue
8. Stem cap	Ductile iron GJS-500-7	21. Bonnet bolt	Stainless steel A4
9. Stem	Stainless steel 1.4057	22. Wedge shoe	Polyamide
10. Wiper ring	NBR rubber	23. C-clip	Brass CW508L
11. Gland flange bolt	Stainless steel A4	24. Bolt	Stainless steel A4
12. Gland flange	Ductile iron GJS-500-7	25. By-pass valve	Ductile iron GJS-500-7
13. Radial bearing	Bronze CC491		

Components can be substituted with equivalent or higher class materials without prior notification.

Reference nos. and dimensions:

AVK ref. no.	Closing direction	DN mm	Flange drilling	H1 mm	H2 mm	H3 mm	H4 mm	L mm	W mm	W1 mm	W2 mm	By-pass DN	Theoretical Wght.Kg
570-450-42-2540120031	CC	450	AS/NZS 4087 B5	1077	1397	1467	693	660	1130	860	697	100	565
570-450-42-3540120031	ACC	450	AS/NZS 4087 B5	1077	1397	1467	693	660	1130	860	697	100	565
570-450-42-2540120039	CC	450	AS/NZS 4087 B5	1077	1397	1467	776	660	1170	860	737	150	582
570-450-42-3540120039	ACC	450	AS/NZS 4087 B5	1077	1397	1467	776	660	1170	860	737	150	582
570-450-42-2640120031	CC	450	AS2129 E	1077	1397	1467	693	660	1130	860	697	100	565
570-450-42-3640120031	ACC	450	AS2129 E	1077	1397	1467	693	660	1130	860	697	100	565
570-450-42-2640120039	CC	450	AS2129 E	1077	1397	1467	776	660	1170	860	737	150	582
570-450-42-3640120039	ACC	450	AS2129 E	1077	1397	1467	776	660	1170	860	737	150	582
570-500-42-2540120031	CC	500	AS/NZS4087 B5	1105	1457	1527	701	710	1130	860	697	100	605
570-500-42-3540120031	ACC	500	AS/NZS4087 B5	1105	1457	1527	701	710	1130	860	697	100	605
570-500-42-2540120039	CC	500	AS/NZS 4087 B5	1105	1457	1527	783	710	1170	860	737	150	622
570-500-42-3540120039	ACC	500	AS/NZS 4087 B5	1105	1457	1527	783	710	1170	860	737	150	622
570-600-42-2540120031	CC	600	AS/NZS 4087 B5	1244	1656	1726	761	785	1250	969	797	100	830
570-600-42-3540120031	ACC	600	AS/NZS 4087 B5	1244	1656	1726	761	785	1250	969	797	100	830
570-600-42-2540120039	CC	600	AS/NZS 4087 B5	1244	1656	1726	843	785	1290	969	807	150	847
570-600-42-3540120039	ACC	600	AS/NZS 4087 B5	1244	1656	1726	843	785	1290	969	807	150	847
570-600-42-2640120031	CC	600	AS2129 E	1244	1656	1726	761	785	1250	969	797	100	830
570-600-42-3640120031	ACC	600	AS2129 E	1244	1656	1726	761	785	1250	969	797	100	830
570-600-42-2640120039	CC	600	AS2129 E	1244	1656	1726	843	785	1290	969	807	150	847
570-600-42-3640120039	ACC	600	AS2129 E	1244	1656	1726	843	785	1290	969	807	150	847