

DESIGN

Body	Lugged type
End Connection	EN 1092 PN 10, 16 ASME B16.5 cl. 150 / B16.47 cl. 150 MSS SP 44 cl. 150
Face to Face	EN558 Basic Series 20 /API 609
Disc Seal	Replaceable
Shaft Seal Design	Stuffing box
Driving Shaft	With indicator for position of the disc
Special Design Options	-

TESTING PROCEDURES

Shell strength test	EN 12266-1, P10 ISO 5208 API 598
Shell tightness test	EN 12266-1, P11 ISO 5208 API 598
Seat tightness test	EN 12266-1, P12, Rate A/B ISO 5208, Rate A/B API 598
Operability test	EN 12266-2, F20 ISO 5208 API 598

**OPTIONS**

Anti-Static Design	In accordance with EN 736/3 and API 609
--------------------	---

FUNCTIONAL CHARACTERISTICS

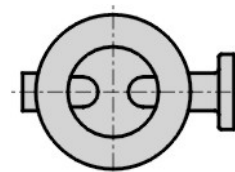
Application	On/off or regulating/control
Design pressure PS	Maximum 20 bar
Design temp. TS	-40°C (-40°F) to +250 °C (482 °F), higher on request
Flow velocity	5 m/s for liquids, 50 m/s for gases
Seat tightness rate	Bi-directional - ISO 5208, EN 12266-1 rate A and API 598 (soft seated) Uni-directional - ISO 5208, EN 12266-1 rate B and API 598 (metal seated)

MARKING & CERTIFICATION

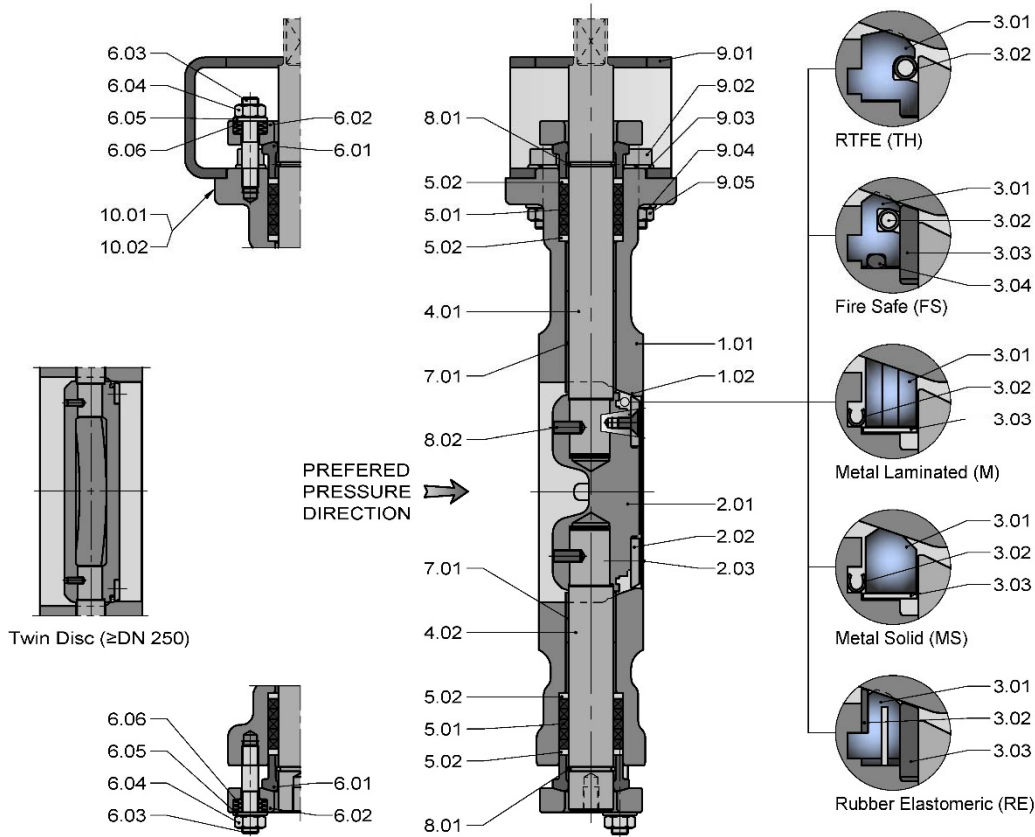
Marking	EN 19, API 609
Certification	EN 10204 - 2.2, 3.1, 3.2
PED	Category III

PRODUCT DATA

General Description	BUTTERFLY VALVE - High Performance double eccentric
Design Code	EN 593 / API 609 Cat. B
Size Range	DN 50 - 900, NPS 2"- 36"
Maximum Pressure	20 bar

PREFERRED POSITION WHEN INSTALLED IN HORIZONTAL PIPELINE

PARTS LIST - DYNAXE L201 - 50-900 (2"-36")



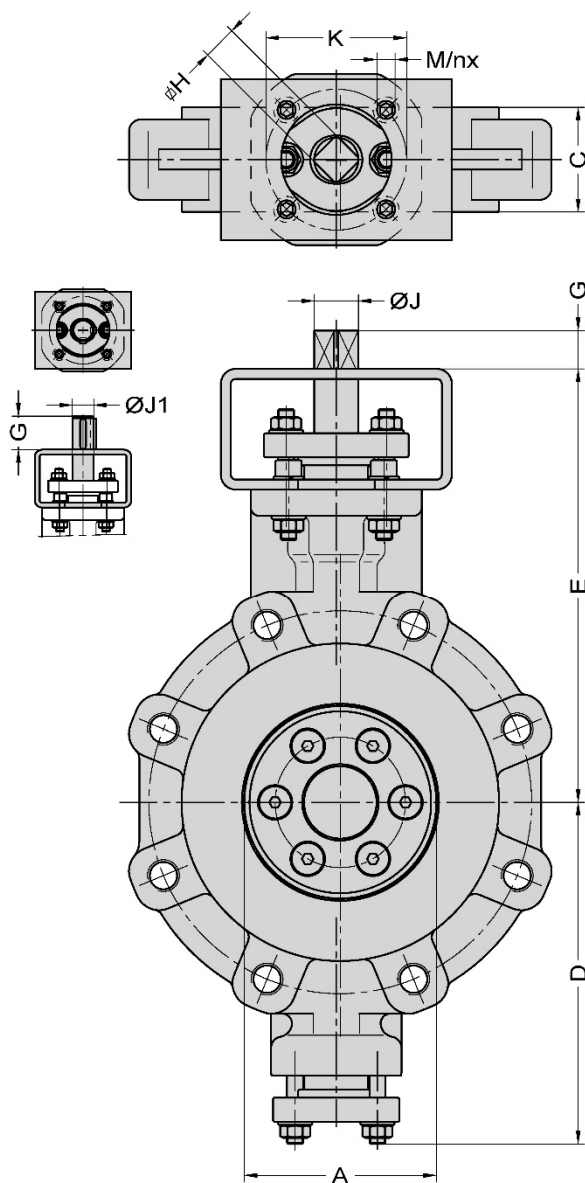
Item	Description	Material ⁽¹⁾	EN/DIN	Comparable ASTM
1.01	Body	Austenitic SS Carbon Steel	1.4408, EN 10213 1.0619, EN 10213	A 351, CF8M A 216, WCB
1.02	Body seat	Stainless steel Stellite	1.4370	-
2.01	Disc	Austenitic SS ⁽²⁾ Carbon Steel ⁽³⁾	1.4401, EN 10088 1.0460, EN 10273	A 182, F316 A 105 N
2.02	Retaining ring	Austenitic SS	1.4401, EN 10088	A 182, F316
2.03	Screw	Stainless Steel - A4/70		
3.01	Disc seat ring (TH)	RTFE 15-12-3	-	-
3.02	Helix coil	Austenitic SS	1.4401, EN 10088	A 182, F316
4.01	Upper shaft	Austenitic SS Martensitic SS	1.3964, 1.4021, EN 10088	A 479, XM-19 A 276, 420
4.02	Lower shaft	See ITEM 4.01	See ITEM 4.01	See ITEM 4.01
5.01	Packing ring	Graphite (>99.85%)		
5.02	Taper ring	Austenitic SS	1.4401, EN 10088	A 182, F316
6.01	Packing gland	Austenitic SS	1.4408, EN 10213	A 351, CF8M
6.02	Gland flange	Austenitic SS	1.4408, EN 10213	A 351, CF8M
6.03	Stud bolt	Stainless Steel - A4/70		
6.04	Hex. nut	Stainless Steel - A4/70		
6.05	Washer	Stainless Steel - A4		
6.06	Bevelled washer	Stainless Steel		
7.01	Sliding bearing	Austenitic SS / coated	1.4401, EN 10088	A 182, F316
8.01	Snap ring	Stainless Steel	1.4310,	
8.02	Set screw	Stainless Steel - A4/70		
9.01	Bracket	Austenitic SS	1.4401, EN 10088	A 182, F316
9.02	Screw	Stainless Steel - A4/70		
9.03	Washer	Stainless Steel - A4		
9.04	Spring lock washer	Stainless Steel - A4		
9.05	Hex. nut	Stainless Steel - A4/70		
10.01	Marking plate	Austenitic SS	1.4401, EN 10088	A 182, F316
10.02	Blind rivet	Stainless Steel - A4		

⁽¹⁾ Other materials like Duplex, 6Mo, Titanium, on request

⁽²⁾ forged ≤ DN 200, casted ≥ DN 250, material 1.4408, EN 10213 (A 351, CF8M)

⁽³⁾ forged ≤ DN 200, casted ≥ DN 250, material 1.0619, EN 10213 (A 216, WCB)

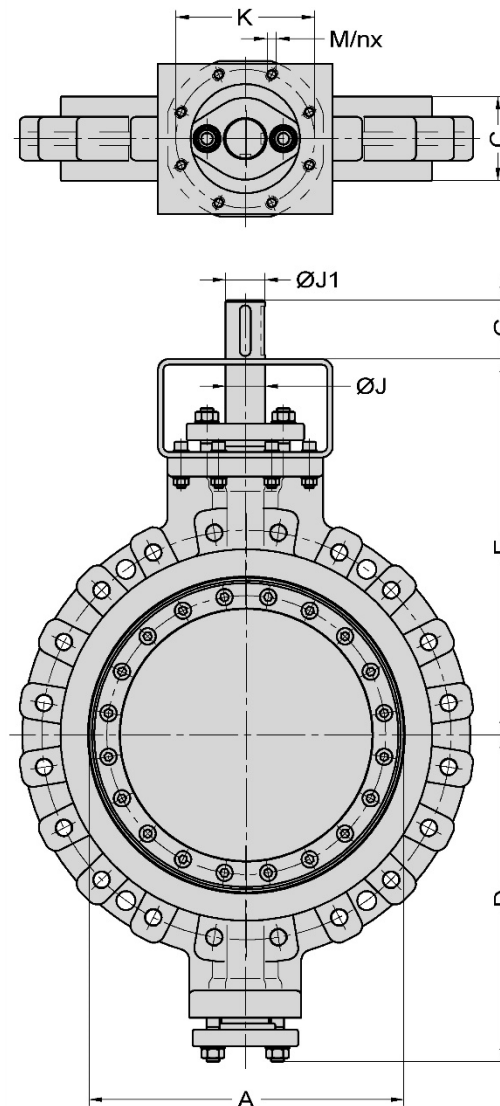
DIMENSIONS - DYNAXE L201 - 50-400 (2"-16")



DN	NPS	A	C	D	E	G ^(*)	H ^(*)	J ^(*)	J1 ^(*)	ISO 5211	K	M	n	MASS ±kg
50	2"	58	43	139	197	15	14	18	-	F05	50	7	4	9
65	2½"	58	46	139	197	15	14	18	-	F05	50	7	4	11
80	3"	71	46	146	202	15	14	18	-	F05	50	7	4	12
100	4"	96	52	170	216	19	17	22	-	F07	70	9	4	15
125	5"	120	56	182	228	19	17	22	-	F07	70	9	4	20
150	6"	150	56	196	247	19	17	22	-	F07	70	9	4	23
200	8"	197	60	240	301	22	22	28	-	F10	102	11	4	32
250	10"	250	68	279	334	28	27	36	-	F12	125	13	4	64
300	12"	301	78	311	359	28	27	36	-	F12	125	13	4	82
350	14"	327	92	358	427	65	-	45	42	F14	140	17	4	110
400	16"	379	102	384	453	65	-	45	42	F14	140	17	4	162

^(*) See actuator attachment dimensions (PDS03.00.001) for complete survey

DIMENSIONS - DYNAXE L201 - 450-900 (18"-36")



DN	NPS	A	C	D	E	G ^(*)	J ^(*)	J1 ^(*)	ISO 5211	K	M	n	MASS ±kg
450	18"	428	114	493	525	78	60	60	F16	165	21	4	191
500	20"	480	127	519	551	78	60	60	F16	165	21	4	251
600	24"	571	154	598	688	110	72	72	F25	254	17	8	400
700	28"	676	165	648	738	110	72	72	F25	254	17	8	530
750	30"	726	190	719	812	130	80	80	F30	298	21	8	600
800	32"	776	190	744	837	130	80	80	F30	298	21	8	690
900	36"	876	203	794	887	130	80	80	F30	298	21	8	970

^(*) See actuator attachment dimensions (PDS03.00.001) for complete survey

Disc Seat Options – Dynaxe W201, W162, L201, L162, F131, F142

RTFE Fire Safe Design (TF)

3.01	Disc seat ring	RTFE 15-12-3		
3.02	Helix coil	Austenitic SS	1.4401, EN 10088	A 182, F316
3.03	Fire safe seat ring	Austenitic SS	1.4401, EN 10088	A 182, F316
3.04	O-ring	FPM		

Rubber Elastomeric (RE)

3.01	Disc seat ring	Rubber (FPM, NBR, EPDM)		
3.02	Metal Back-up ring	Austenitic SS	1.4401, EN 10088	A 182, F316
3.03	Fire safe seat ring	Austenitic SS	1.4401, EN 10088	A 182, F316

Metal Laminated Seat (M)

3.01	Disc seat ring	Austenitic SS + Graphite	1.4401, EN 10088	A 182, F316
3.02	C-ring	Inconel® 718		
3.03	Sinus spring	Stainless Steel		

Metal Solid Seat - Stainless steel (MS1)

3.01	Disc seat ring	Austenitic SS / coated	1.4401, EN 10088	A 182, F316
3.02	C-ring	Inconel® 718		
3.03	Sinus spring	Stainless Steel		

Metal Solid Seat - Bronze (MS2)

3.01	Disc seat ring	Aluminum Bronze		
3.02	C-ring	Inconel® 718		
3.03	Sinus spring	Stainless Steel		

Metal Solid Seat - Inconel (MS3)

3.01	Disc seat ring	Inconel® 625		
3.02	C-ring	Inconel® 718		
3.03	Sinus spring	Stainless Steel		